

REV	DATE	BY	CHK	APPV	DESCRIPTION	DATE REL	QTY	REL	FORMIT
F1	DJS	PC			REVISED SHEET 1	07-08-10			
	DJS	JP				100252			

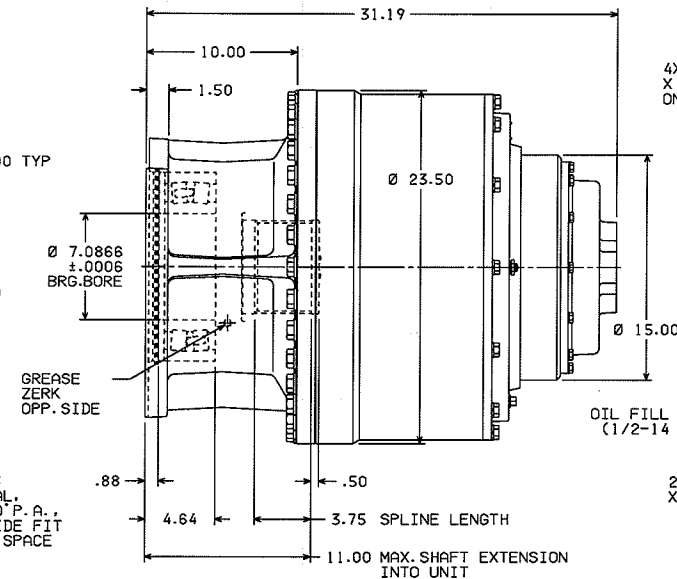
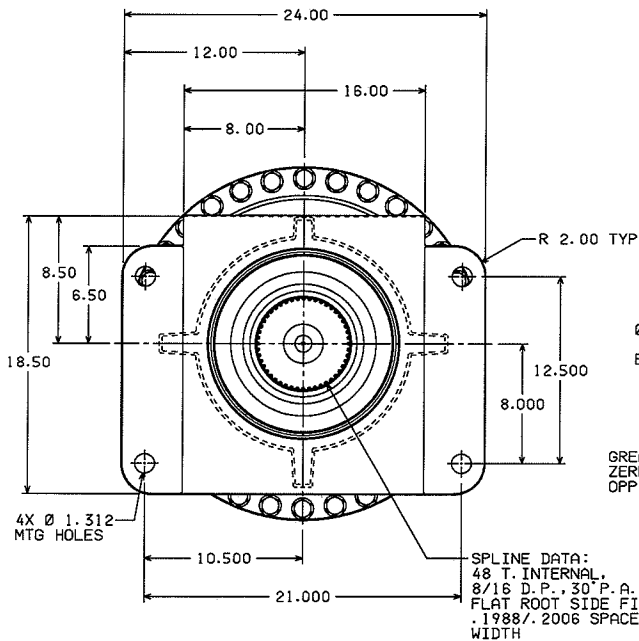
REV	DATE	BY	CHK	APPV	DESCRIPTION	DATE REL	QTY	REL	FORMIT
A1	DDA	DJS			RELEASED	10-08-97			
	REL	KLM				970456			
B1	DDA	DJS			SEE SH1 1 OF 2	04-23-98			
	DJS	DJS				980200			
C1	JKT	JWH			REVISED RATING INFORMATION	08-01-00			
	JWH	GJM				000356			
D1	GJM	DJS			REVISED SHEET 1	08-04-02			
	DJS	GJM				020254			
E1	DDA	JWH			REVISED SHEET 1	03-04-03			
	JWH	GJM				030088			

D

C

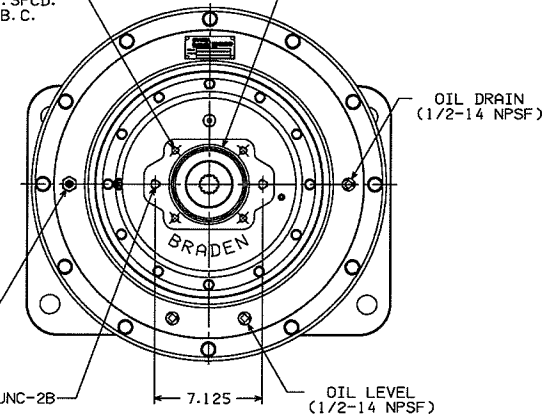
B

A



4X 1/2-13 UNC-2B X .88 DP, EQ. SPCD. ON A 6.375 B.C.

SAE "C" INPUT 14 T, 12/24 D.P., 5.004 ±.002 PILOT



RATIO - 1040.6:1  
 RATING (ABS APPROVED):  
 140,000 LB-FT MAX. NORMAL JACKING LOAD  
 163,333 LB-FT EMERGENCY JACKING/HOLDING LOAD  
 217,723 LB-FT STORM HOLDING LOAD  
 1.73 RPM OUTPUT  
 TO BE SHIPPED UNPAINTED WITH A LIGHT COAT OF OIL OR RUST PREVENTIVE

LB1400B-1040C-04462

Q.A.	INT	WFO	DATE	DAW	CHK	MATERIAL	WEIGHT (LBS)
				D. ARNOLD	KLM	SEE B/M	1800
1. DIMENSIONING AND TOLERANCING PER ASME Y14.5-1994				APPR	B. LEMON	TITLE	PACCAR SHARED DATA
2. FINISHES: UNLESS OTHERWISE SPECIFIED				DATE	D. SWENSON	SCALE	1:4
3. PROPRIETARY INFORMATION IS TO BE KEPT CONFIDENTIAL AND NOT TO BE DISCLOSED TO ANY OTHER PARTY WITHOUT THE WRITTEN PERMISSION OF THE COMPANY. THIS DRAWING IS THE PROPERTY OF PACCAR AND IS TO BE KEPT CONFIDENTIAL AND NOT TO BE DISCLOSED TO ANY OTHER PARTY WITHOUT THE WRITTEN PERMISSION OF PACCAR.				REL. NO.	970456	MODEL	LB1400B
4. THIS DRAWING IS THE PROPERTY OF PACCAR AND IS TO BE KEPT CONFIDENTIAL AND NOT TO BE DISCLOSED TO ANY OTHER PARTY WITHOUT THE WRITTEN PERMISSION OF PACCAR.				LIST ASSEMBLY		PHOTO P/N	
5. TOLERANCES UNLESS OTHERWISE SPECIFIED							
6. DIMENSIONS UNLESS OTHERWISE SPECIFIED							
7. DIMENSIONS UNLESS OTHERWISE SPECIFIED							
8. DIMENSIONS UNLESS OTHERWISE SPECIFIED							
9. DIMENSIONS UNLESS OTHERWISE SPECIFIED							
10. DIMENSIONS UNLESS OTHERWISE SPECIFIED							
11. DIMENSIONS UNLESS OTHERWISE SPECIFIED							
12. DIMENSIONS UNLESS OTHERWISE SPECIFIED							
13. DIMENSIONS UNLESS OTHERWISE SPECIFIED							
14. DIMENSIONS UNLESS OTHERWISE SPECIFIED							
15. DIMENSIONS UNLESS OTHERWISE SPECIFIED							
16. DIMENSIONS UNLESS OTHERWISE SPECIFIED							
17. DIMENSIONS UNLESS OTHERWISE SPECIFIED							
18. DIMENSIONS UNLESS OTHERWISE SPECIFIED							
19. DIMENSIONS UNLESS OTHERWISE SPECIFIED							
20. DIMENSIONS UNLESS OTHERWISE SPECIFIED							
21. DIMENSIONS UNLESS OTHERWISE SPECIFIED							
22. DIMENSIONS UNLESS OTHERWISE SPECIFIED							
23. DIMENSIONS UNLESS OTHERWISE SPECIFIED							
24. DIMENSIONS UNLESS OTHERWISE SPECIFIED							
25. DIMENSIONS UNLESS OTHERWISE SPECIFIED							
26. DIMENSIONS UNLESS OTHERWISE SPECIFIED							
27. DIMENSIONS UNLESS OTHERWISE SPECIFIED							
28. DIMENSIONS UNLESS OTHERWISE SPECIFIED							
29. DIMENSIONS UNLESS OTHERWISE SPECIFIED							
30. DIMENSIONS UNLESS OTHERWISE SPECIFIED							
31. DIMENSIONS UNLESS OTHERWISE SPECIFIED							
32. DIMENSIONS UNLESS OTHERWISE SPECIFIED							
33. DIMENSIONS UNLESS OTHERWISE SPECIFIED							
34. DIMENSIONS UNLESS OTHERWISE SPECIFIED							
35. DIMENSIONS UNLESS OTHERWISE SPECIFIED							
36. DIMENSIONS UNLESS OTHERWISE SPECIFIED							
37. DIMENSIONS UNLESS OTHERWISE SPECIFIED							
38. DIMENSIONS UNLESS OTHERWISE SPECIFIED							
39. DIMENSIONS UNLESS OTHERWISE SPECIFIED							
40. DIMENSIONS UNLESS OTHERWISE SPECIFIED							
41. DIMENSIONS UNLESS OTHERWISE SPECIFIED							
42. DIMENSIONS UNLESS OTHERWISE SPECIFIED							
43. DIMENSIONS UNLESS OTHERWISE SPECIFIED							
44. DIMENSIONS UNLESS OTHERWISE SPECIFIED							
45. DIMENSIONS UNLESS OTHERWISE SPECIFIED							
46. DIMENSIONS UNLESS OTHERWISE SPECIFIED							
47. DIMENSIONS UNLESS OTHERWISE SPECIFIED							
48. DIMENSIONS UNLESS OTHERWISE SPECIFIED							
49. DIMENSIONS UNLESS OTHERWISE SPECIFIED							
50. DIMENSIONS UNLESS OTHERWISE SPECIFIED							
51. DIMENSIONS UNLESS OTHERWISE SPECIFIED							
52. DIMENSIONS UNLESS OTHERWISE SPECIFIED							
53. DIMENSIONS UNLESS OTHERWISE SPECIFIED							
54. DIMENSIONS UNLESS OTHERWISE SPECIFIED							
55. DIMENSIONS UNLESS OTHERWISE SPECIFIED							
56. DIMENSIONS UNLESS OTHERWISE SPECIFIED							
57. DIMENSIONS UNLESS OTHERWISE SPECIFIED							
58. DIMENSIONS UNLESS OTHERWISE SPECIFIED							
59. DIMENSIONS UNLESS OTHERWISE SPECIFIED							
60. DIMENSIONS UNLESS OTHERWISE SPECIFIED							
61. DIMENSIONS UNLESS OTHERWISE SPECIFIED							
62. DIMENSIONS UNLESS OTHERWISE SPECIFIED							
63. DIMENSIONS UNLESS OTHERWISE SPECIFIED							
64. DIMENSIONS UNLESS OTHERWISE SPECIFIED							
65. DIMENSIONS UNLESS OTHERWISE SPECIFIED							
66. DIMENSIONS UNLESS OTHERWISE SPECIFIED							
67. DIMENSIONS UNLESS OTHERWISE SPECIFIED							
68. DIMENSIONS UNLESS OTHERWISE SPECIFIED							
69. DIMENSIONS UNLESS OTHERWISE SPECIFIED							
70. DIMENSIONS UNLESS OTHERWISE SPECIFIED							
71. DIMENSIONS UNLESS OTHERWISE SPECIFIED							
72. DIMENSIONS UNLESS OTHERWISE SPECIFIED							
73. DIMENSIONS UNLESS OTHERWISE SPECIFIED							
74. DIMENSIONS UNLESS OTHERWISE SPECIFIED							
75. DIMENSIONS UNLESS OTHERWISE SPECIFIED							
76. DIMENSIONS UNLESS OTHERWISE SPECIFIED							
77. DIMENSIONS UNLESS OTHERWISE SPECIFIED							
78. DIMENSIONS UNLESS OTHERWISE SPECIFIED							
79. DIMENSIONS UNLESS OTHERWISE SPECIFIED							
80. DIMENSIONS UNLESS OTHERWISE SPECIFIED							
81. DIMENSIONS UNLESS OTHERWISE SPECIFIED							
82. DIMENSIONS UNLESS OTHERWISE SPECIFIED							
83. DIMENSIONS UNLESS OTHERWISE SPECIFIED							
84. DIMENSIONS UNLESS OTHERWISE SPECIFIED							
85. DIMENSIONS UNLESS OTHERWISE SPECIFIED							
86. DIMENSIONS UNLESS OTHERWISE SPECIFIED							
87. DIMENSIONS UNLESS OTHERWISE SPECIFIED							
88. DIMENSIONS UNLESS OTHERWISE SPECIFIED							
89. DIMENSIONS UNLESS OTHERWISE SPECIFIED							
90. DIMENSIONS UNLESS OTHERWISE SPECIFIED							
91. DIMENSIONS UNLESS OTHERWISE SPECIFIED							
92. DIMENSIONS UNLESS OTHERWISE SPECIFIED							
93. DIMENSIONS UNLESS OTHERWISE SPECIFIED							
94. DIMENSIONS UNLESS OTHERWISE SPECIFIED							
95. DIMENSIONS UNLESS OTHERWISE SPECIFIED							
96. DIMENSIONS UNLESS OTHERWISE SPECIFIED							
97. DIMENSIONS UNLESS OTHERWISE SPECIFIED							
98. DIMENSIONS UNLESS OTHERWISE SPECIFIED							
99. DIMENSIONS UNLESS OTHERWISE SPECIFIED							
100. DIMENSIONS UNLESS OTHERWISE SPECIFIED							

D

C

B

A

D

8

7

6

5

4

3

2

1